

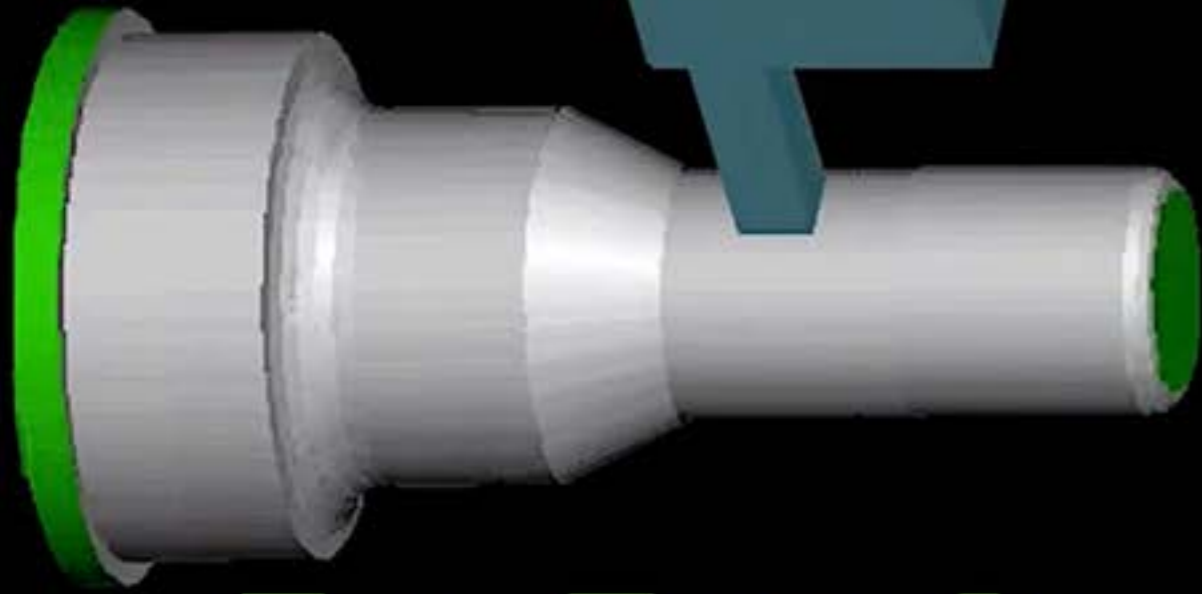
Ezy-TURN AI



Ezy-TURN AI

EZY-TURN AI features FANUC 0i-TF PLUS CNC as standard. And it includes a special set of Fanuc features including Turn Mate-i, Manual Guide-i, Fanuc Picture and our proprietary CinTurn-i APP. CinTurn-i APP was developed using FANUC PICTURE and designed specifically for the 0i-TF PLUS controller. It aims to reduce operator training costs and improve operational efficiency through an intuitive teach pendant interface.

AI CNC TURNING CENTERS



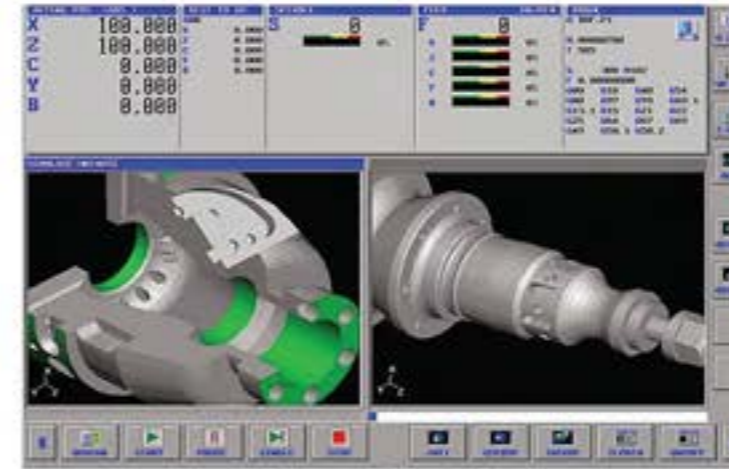
Ezy-TURN AI

WITH EMBEDDED ARTIFICIAL INTELLIGENCE

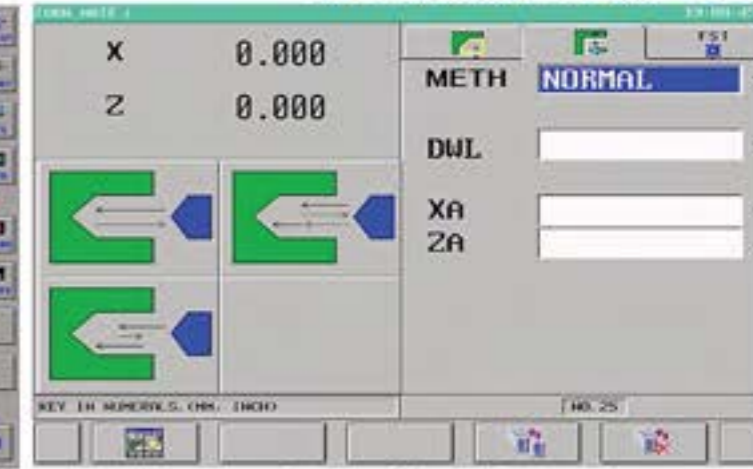
EZY-TURN AI is an industry standard CNC System that is optimized for all kinds of turning applications. This is accomplished by integrating advanced Ai-Like features such as Fine Surface Technology and Fast Cycle Time Software. It optimizes machining paths in real time and enhances productivity for both entry-level and complex Turning Centers.

And don't forget the exclusive Fanuc onsite full 2-year parts and labor warranty on all Fanuc items.

CINCINNATI MACHINES



Manual Guide-i



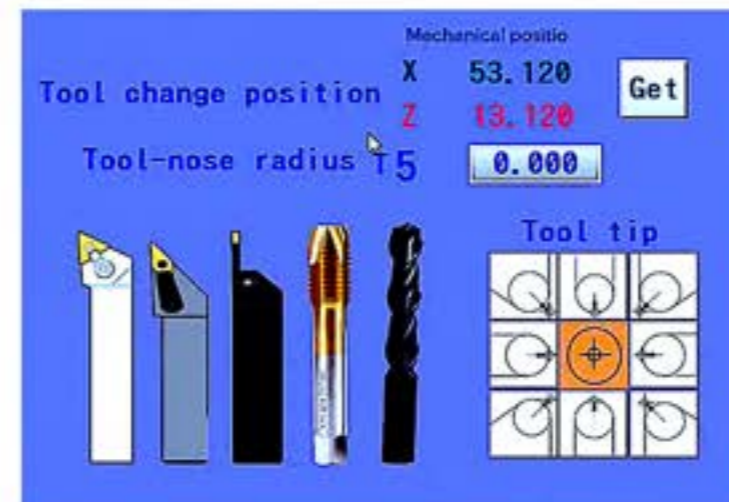
Turn Mate-i



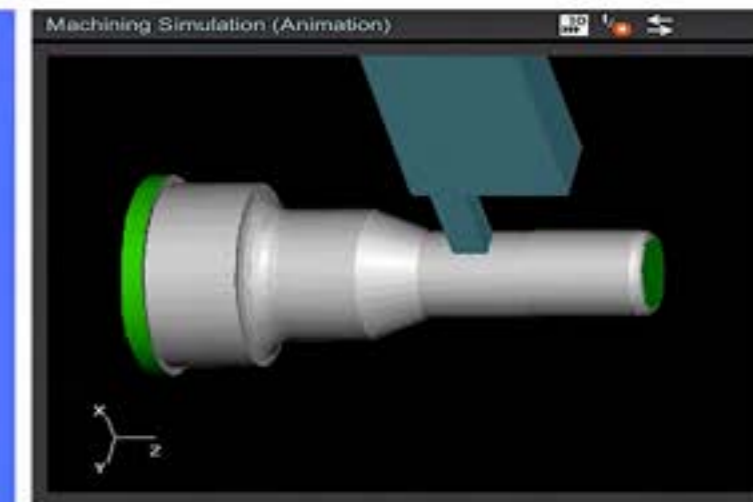
Choose Operation



Threading



Choose Tool



Simulation Prove Out

Turn Mate-i permits simplified part programming with entry level no G-code knowledge.

Manual Guide-i allows the operator to create part programs from a drawing to a produced part in just a few steps.

CinTurn-i App combines Turn Mate-i, Manual Guide-i, Fanuc Picture, and Ai-like features to optimize and simplify your turning operations.

Machine Features:

Headstock

Machines are built with harden/ground gears in headstock, high precision bearing and oil-cooler to provide the highest spindle-speed and high accuracy turning. Machines are equipped automatic spindle-speed change for most efficiency and productivity.

BED

Machine use high performance cast-iron with harden and ground to ensure high-precision/rigid cutting.

Control Console

The control-console is located on an independent-way to allow moving quickly and effortlessly aside. Removable Handwheel is equipped at side of control-console for convenience and efficiency operating setting.

General Information: Capacity

15 SERIES

Swing over bed: 390(15.25)
Swing over cross slide: 220(8.6)
Swing in gap: 610(24)

18 SERIES

Swing over bed: 460(18)
Swing over cross slide: 285(11.2)
Swing in gap: 635(25)

20-22 SERIES

Swing over bed: 510(20)/560(22)
Swing over cross slide: 340(13.5)/390(15.5)
Swing in gap: 760(30)/810(32)

26-30 SERIES

Swing over bed: 660(26)/760(30)
Swing over cross slide: 454(18)/556(22)
Swing in gap: 940(37)/1040(40.94)

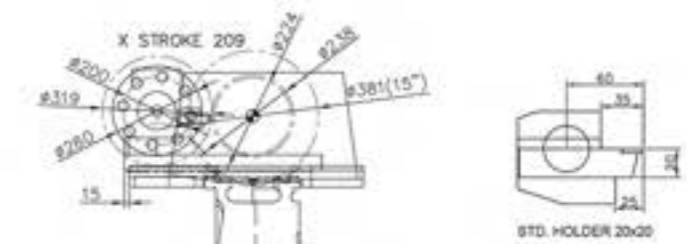
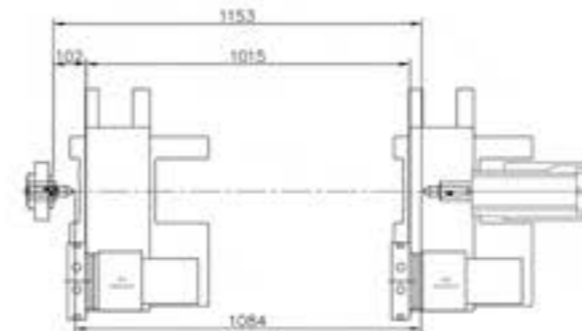
30LS SERIES

Swing over bed: 800(32)
Swing over cross slide: 628(24)
Swing in gap: 1090(42.91)

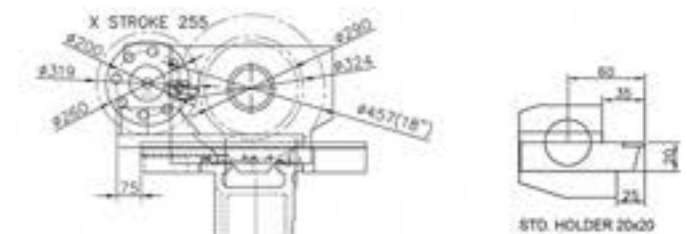


15-18 SERIES

15-SERIES



18-SERIES



MACHINE SPECIFICATION

MODEL	1550	1825/1850	TAILSTOCK	
CAPACITY			Quill travel	155(6.125) 140(5.5)
Swing over bed	390(15.25)	460(18)	Quill diameter	58.5(2.3) 73(2.87)
Swing over cross slide	220(8.6)	285(11.2)	Quill taper	MT4 MT5
Swing in gap	610(24)	635(25)	BED	
Distance between center	1206(50)	427(17)/1027 (40)	Bed width	270(11) 318 (12.5)
Gap width from faceplate	150(6)	165(6.5)	Max. longitudinal travel	420(16)/920(36) 300(12)/900(36)
HEADSTOCK			Max. turning length	370(14)/870(34) 260(10.2)/860(33.8)
Spindle nose	D1-6(A2-6)		BALLSCREW	
Spindle bore	54(2.125)	54(2.125)	X-Axis Ballscrew Dia.	20 x P5
Spindle Bearing - Front	32218	NN3019KR	Z-Axis Ballscrew Dia.	32 x P5
Spindle Bearing - Rear	32215	7016DB	GENERAL INFORMATION	
Spindle speeds: Low range	-	13-392	Overall length	2830(121)/3330(131) 2730(107)/3330(131)
Spindle speeds: Medium range	-	391-1135	Overall width	2250(88)
Spindle speeds: High range	60-3000	1136-3500	Overall height	2150(85)
Spindle nose bush	MT6 x MT4		Net weight (Approx. kgs)	1500/1800 2000/2200
			Gross weight (Approx. kgs)	2000/2300 2400/2700

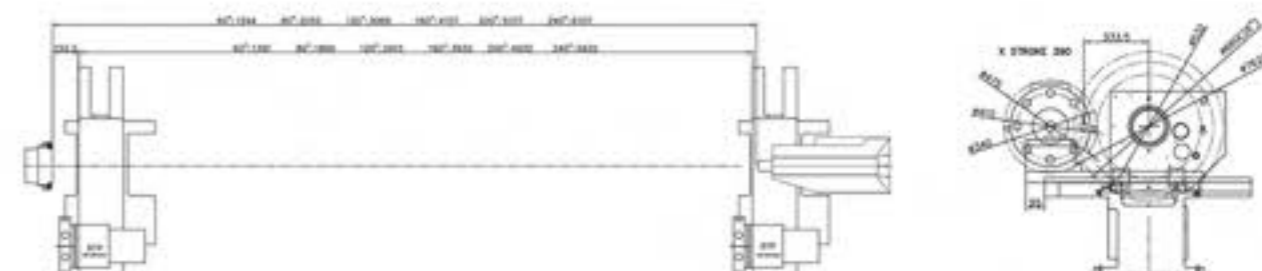
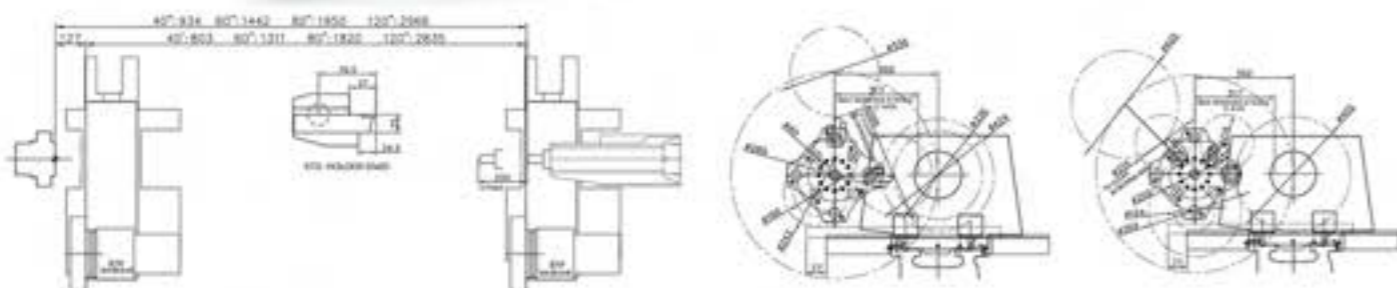
The above specification subject to change without prior notice

Unit: mm(inch)

20-22 SERIES



26-30 SERIES



MACHINE SPECIFICATION

MODEL	2040/2060/2080/20120	2240/2260/2280/22120
CAPACITY		
Swing over bed	510(20)	560(22)
Swing over cross slide	340(13.5)	390(15.5)
Swing in gap	760(30)	810(32)
Distance between center	934(40)/1442(60)/1950(80)/2966(120)	
Gap width from faceplate	230(9)	
HEADSTOCK		
Spindle nose	D1-8(A2-8)	D1-8(A2-8) D1-11
Spindle bore	80(3.125)	80(3.125) 104(4)
Spindle Bearing - Front	32026	32026 32030
Spindle Bearing - Rear	32021	32021 32026
Spindle speeds: Low range	26-266	26-266 1-224
Spindle speeds: Medium range	267-766	267-766 255-672
Spindle speeds: High range	767-2400	767-2400 673-2000
TAILSTOCK		
Quill travel	200(8)	
Quill diameter	75(3)	
Quill taper	MT5	
BED		
Bed width	345(13)	
Max. longitudinal travel	680(26.8)/1190(46.8)/1700(67)/2710(106.7)	
Max. turning length	630(24.8)/1140(44.8)/1650(65)/2660(104.7)	
BALLSCREW		
X-Axis Ballscrew Dia.	25 x P5	
Z-Axis Ballscrew Dia.	40 x P10	
GENERAL INFORMATION		
Overall length	2970(117)/3670(145)/4170(164)/5170(204)	
Overall width	2100(83)	
Overall height	2230(88)	
Net weight (Approx. kgs)	2600/2800/3000/3800	2700/2900/3200/4000
Gross weight (Approx. kgs)	3200/3400/3600/4600	3500/3700/4000/4800

The above specification subject to change without prior notice

Unit: mm(inch)

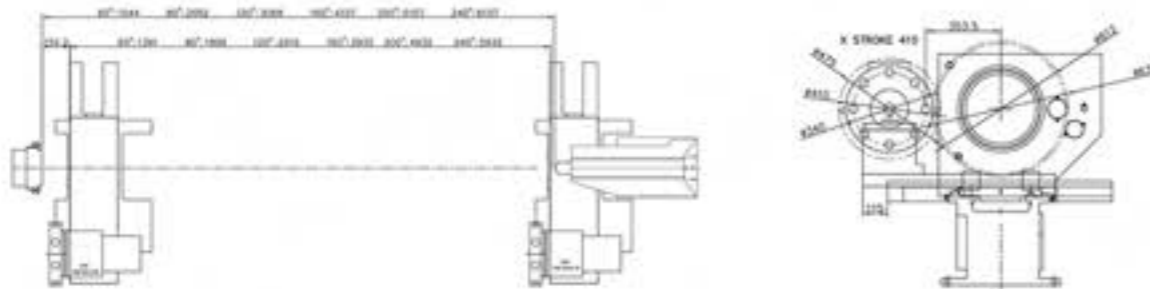
MACHINE SPECIFICATION

MODEL	2660/2680/26120/ 26160/26200/26240	3060/3080/30120/ 30160/30200/30240
CAPACITY		
Swing over bed	660(26)	760(30)
Swing over cross slide	454(18)	556(22)
Swing in gap	940(37)	1040(40.94)
Distance between center	1500(60)/2000(80)/3000(120)/ 4000(160)/5000(200)/6000(240)	
Gap width from faceplate	300(11.8)	
HEADSTOCK		
Spindle nose	A2-11	A2-11 A2-11 A2-11
Spindle bore	104	155-OPT 104 155-OPT
Spindle speeds: Low range	26-224	30-172 26-224 30-172
Spindle speeds: Medium range	225-670	173-517 225-670 173-517
Spindle speeds: High range	671-2000	518-1400 671-2000 518-1400
Spindle nose bush	MT8 x MT6	- MT8 x MT6 -
TAILSTOCK		
Quill travel	300(12)	
Quill diameter	105(4.125)	
Quill taper	MT6	
BED		
Bed width	480(18.9)	
Max. longitudinal travel	1190(46.8)/1700(67)/2710(106.7)/ 3730(146.8)/4730(186.8)/5730(226.8)	
Max. turning length	1140(44.8)/1650(65)/2660(104.7)/ 3680(144.8)/4680(184.8)/5680(224.8)	
BALLSCREW		
X-Axis Ballscrew Dia.	32 x P5	
Z-Axis Ballscrew Dia.	50 x P10	
GENERAL INFORMATION		
Overall length	4200(165)/4700(185)/5700(224)/ 6700(264)/7700(304)/8700(344)	
Overall width	2250(88)	
Overall height	2260(88)	
Net weight (Approx. kgs)	4300/4800/6000/ 7000/8400/9600	4500/5000/6200/ 7400/8600/9800
Gross weight (Approx. kgs)	4900/5500/6800/ 8200/9400/10600	5100/5700/7000/ 8400/9600/10800

The above specification subject to change without prior notice

Unit: mm(inch)

30LS SERIES



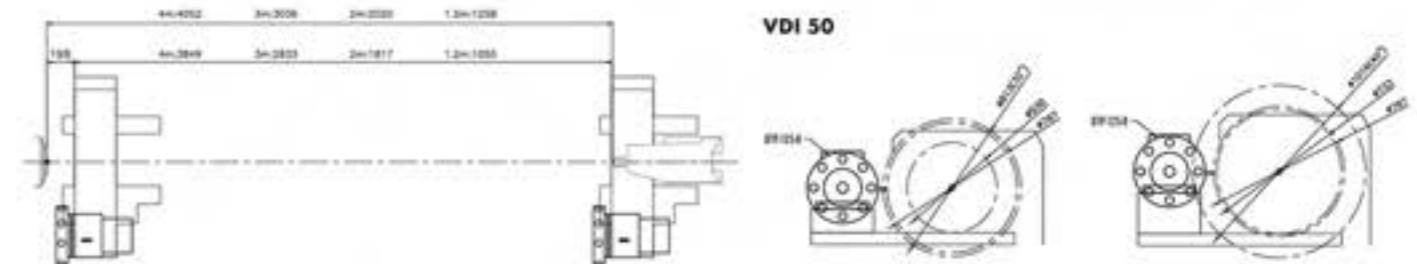
MACHINE SPECIFICATION

MODEL	3060LS/3080LS/30120LS/ 30160LS/30200LS/30240LS		
CAPACITY			
Swing over bed	800(32)		
Swing over cross slide	608(24)		
Swing in gap	1090(42.91)		
Distance between center	1500(60)/2000(80)/3000(120)/ 4000(160)/5000(200)/8000(240)		
Gap width from faceplate	300(11.8)		
HEADSTOCK			
Spindle nose	A2-11	A2-11	A2-15
Spindle bore	104	155	230
Spindle speeds: Low range	26-224	30-172	4-73
Spindle speeds: Medium range	225-870	173-517	74-200
Spindle speeds: High range	671-2000	518-1400	201-600
Spindle nose bush	MT8 x MT6	-	-
TAILSTOCK			
Quill travel	300(12)		
Quill diameter	105(4.125)		
Quill taper	MT6		
BED			
Bed width	480(18.9)		
Max. longitudinal travel	1190(46.8)/1700(67)/2710(106.7)/ 3730(146.8)/4730(186.8)/5730(226.8)		
Max. turning length	1140(44.8)/1650(65)/2660(104.7)/ 3680(144.8)/4680(184.8)/5680(224.8)		
BALLSCREW			
X-Axis Ballscrew Dia.	32 x P5		
Z-Axis Ballscrew Dia.	50 x P10		
GENERAL INFORMATION			
Overall length	4200(165)/4700(185)/5700(224)/ 6700(264)/7700(304)/8700(344)		
Overall width	2250(88)		
Overall height	2260(88)		
Net weight (Approx. kgs)	5000/5500/6700/7900/9100/10300		
Gross weight (Approx. kgs)	5600/6200/7500/8900/10100/11300		

The above specification subject to change without prior notice

Unit: mm(inch)

32-40 SERIES



MACHINE SPECIFICATION

MODEL	3280/32120/32160/32200/32240				4080/40120/40160/40200/40240			
CAPACITY								
Swing over bed	800mm				1000mm			
Swing over cross slide	510mm				710mm			
Swing in gap	1100mm				1300mm			
Center height	400mm				500mm			
Distance between center	2000mm(80'')/3000mm(120'') 4000mm(160'')/5000mm(200'')/6000mm(240'')							
HEADSTOCK								
Spindle bore	155mm	250mm	305mm	155mm	250mm	305mm	380mm	
Spindle nose	A2-11	A2-15	A2-20	A2-11	A2-15	A2-20	A2-20	
Spindle range	3	3	3	3	3	3	3	
Spindle speed (rpm)	1-range	9-170	4-73	4-73	9-170	4-73	4-73	
	2-range	171-470	74-200	74-200	171-470	74-200	74-200	
	3-range	471-1400	201-600	201-600	471-1400	201-600	201-600	
BALLSCREW				CARRIAGE				
Z axis ball screw	ø63 x P10				Cross slide width	300mm		
X axis ball screw	ø40 x P5				Cross slide travel	500mm		
BED				TAILSTOCK				
Bed width	560mm				Quill taper	MT6		
Z axis travel	1820/2820/3820/4820/5820 mm				Quill diameter	125mm		
					Quill travel	275mm		

The above specification subject to change without prior notice

Unit: mm(inch)



Machine Features:

HIGH SPEED

High Speed Series with speeds up to 4500 rpm

Spindle

Cartridge-Type Spindle is run in high accuracy double roller bearings combined with angular contact ball bearings, exhibiting superior axial and radial thrust capacity. The high precision spindle is excellent for high precision machining at high speed while generating minimum heat. The cartridge-type spindle also is easy to remove for convenience maintenance.

C-Axis option

The new developed headstock is allowing programmed selection of C-Axis drive & milling/drilling cycles to be achieved with driving-turret.

Y-Axis option

Y-Axis Function (HS-30 only) allow to milling for the accurate machining of keyways, flat and contoured surface.



General Information: Capacity

HS-18 SERIES

Swing over bed: 460(18)
Swing over cross slide: 285(11.2)
Swing in gap: 635(25)

HS-22 SERIES

Swing over bed: 560(22)
Swing over cross slide: 390(15.5)
Swing in gap: 810(32)

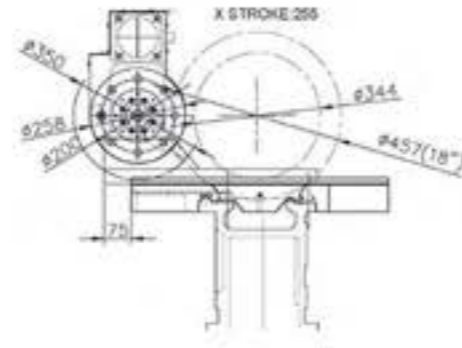
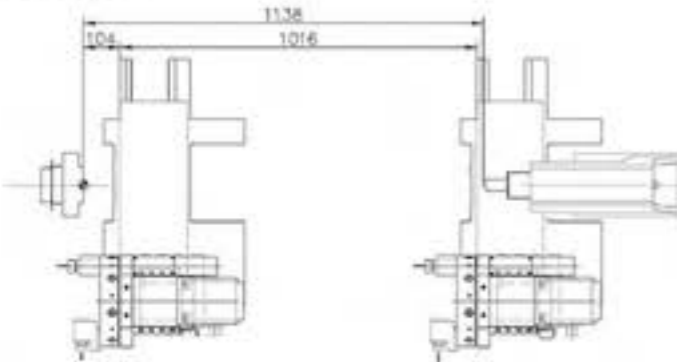
HS-30 SERIES

Swing over bed: 760(30)
Swing over cross slide: 556(22)
Swing in gap: 1040(40.94)

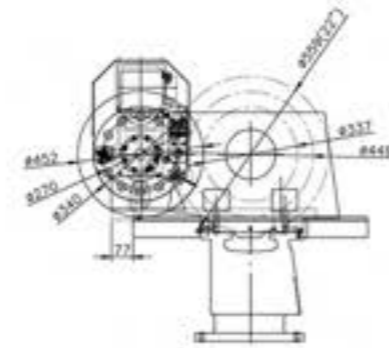
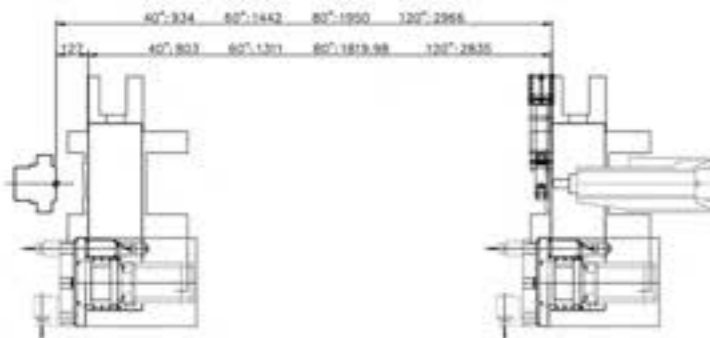


HS18-22 SERIES

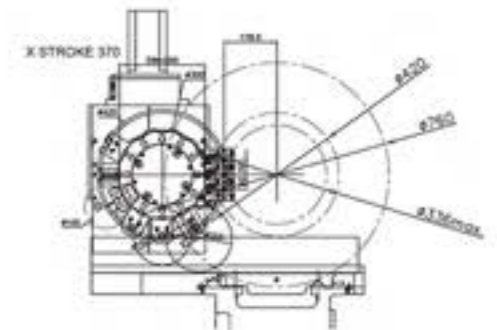
HS 18-SERIES



HS 22-SERIES



HS30 SERIES



MACHINE SPECIFICATION

MODEL	HS-1825/1850	HS-2240/2260/2280/22120		
CAPACITY				
Swing over bed	460(18)	560(22)		
Swing over cross slide	285(11.2)	300(15.5)		
Swing in gap	635(25)	810(32)		
Distance between center	427(17)/1027 (40)	934(40)/1442(60)/1950(80)/2966(120)		
Gap width from faceplate	165(6.5)	230(9)		
HEADSTOCK				
Spindle nose	A2-6	A2-8	A2-8	A2-8
Spindle bore	62mm	87mm	87mm	102mm
Spindle Bearing - Front	NN3020KR	NN3024KR	NN3024KR	NN3028KR
Spindle Bearing - Rear	NN3018KR	NN3022KR	NN3022KR	NN3026KR
Spindle speeds - Low range	0-4500rpm	0-3500rpm	0-3500rpm	0-3000rpm

TAILSTOCK		
Quill travel	140(5.5)	200(8)
Quill diameter	73(2.87)	75(3)
Quill taper	MT5	MT5
BED		
Bed width	318(12.5)	345(13)
Max. longitudinal travel	300(12)/900(35)	680(26.8)/1190(46.8)/1700(67)/2710(106.7)
Max. turning length	260(10.2)/800(33.8)	630(24.8)/1140(44.8)/1650(65)/2660(104.7)
BALLSCREW		
X-Axis Ballscrew Dia.	20 x P5	25 x P5
Z-Axis Ballscrew Dia.	32 x P5	40 x P10
GENERAL INFORMATION		
Overall length	2730(107)/3330(131)	2970(117)/3670(145)/4170(164)/5170(204)
Overall width	2250(88)	2100(83)
Overall height	2150(85)	2230(88)
Net weight (Approx. kgs)	2000/2200	2700/2900/3200/4000
Gross weight (Approx. kgs)	2400/2700	3500/3700/4000/4800

The above specification subject to change without prior notice

Unit: mm(inch)

MACHINE SPECIFICATION

MODEL	HS-3060/3080/30120/30160/30200/30240
CAPACITY	
Swing over bed	760(30)
Swing over cross slide	566(22)
Swing in gap	1040(40.94)
Distance between center	1500(60)/2000(80)/3000(120)/4000(160)/5000(200)/6000(240)
Gap width from faceplate	300(11.8)
HEADSTOCK	
Spindle nose	A2-11
Spindle bore	155mm
Spindle Bearing - Front	NN3036KR
Spindle Bearing - Rear	NN3040KR
Spindle speeds - Low range	0-2000rpm

TAILSTOCK	
Quill travel	300(12)
Quill diameter	105(4.125)
Quill taper	MT6
BED	
Bed width	480(18.9)
Max. longitudinal travel	1190(46.8)/1700(67)/2710(106.7)/3730(146.8)/4730(186.8)/5730(226.8)
Max. turning length	1140(44.8)/1650(65)/2660(104.7)/3680(144.8)/4680(184.8)/5680(224.8)
BALLSCREW	
X-Axis Ballscrew Dia.	32 x P5
Z-Axis Ballscrew Dia.	50 x P10
GENERAL INFORMATION	
Overall length	4200(165)/4700(185)/5700(224)/6700(264)/7700(304)/8700(344)
Overall width	2250(88)
Overall height	2260(88)
Net weight (Approx. kgs)	5000/5500/6700/7900/9100/10300
Gross weight (Approx. kgs)	5600/6200/7500/8900/10100/11300

The above specification subject to change without prior notice

Unit: mm(inch)